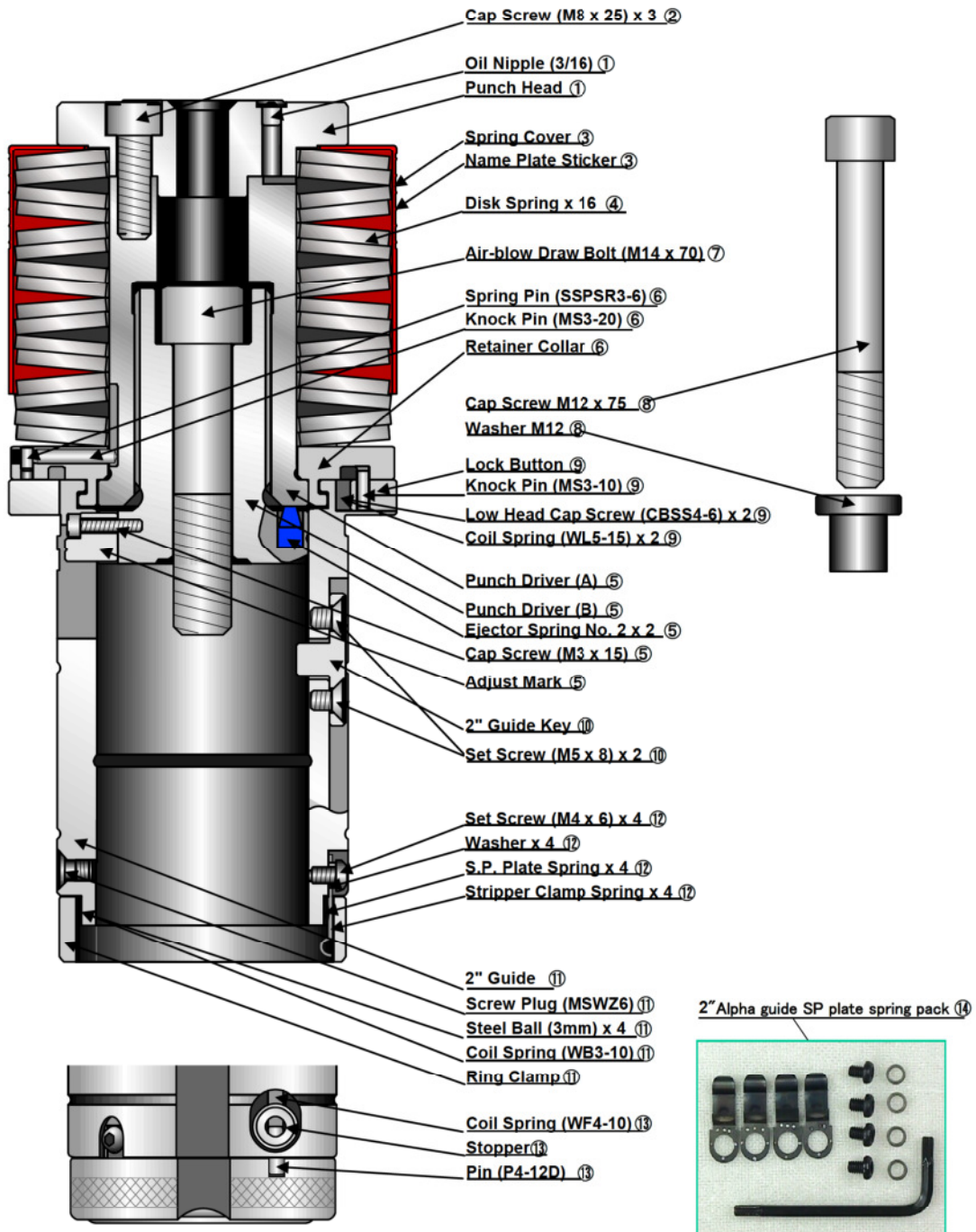




Guide Assy



C 2" Alpha Guide assy



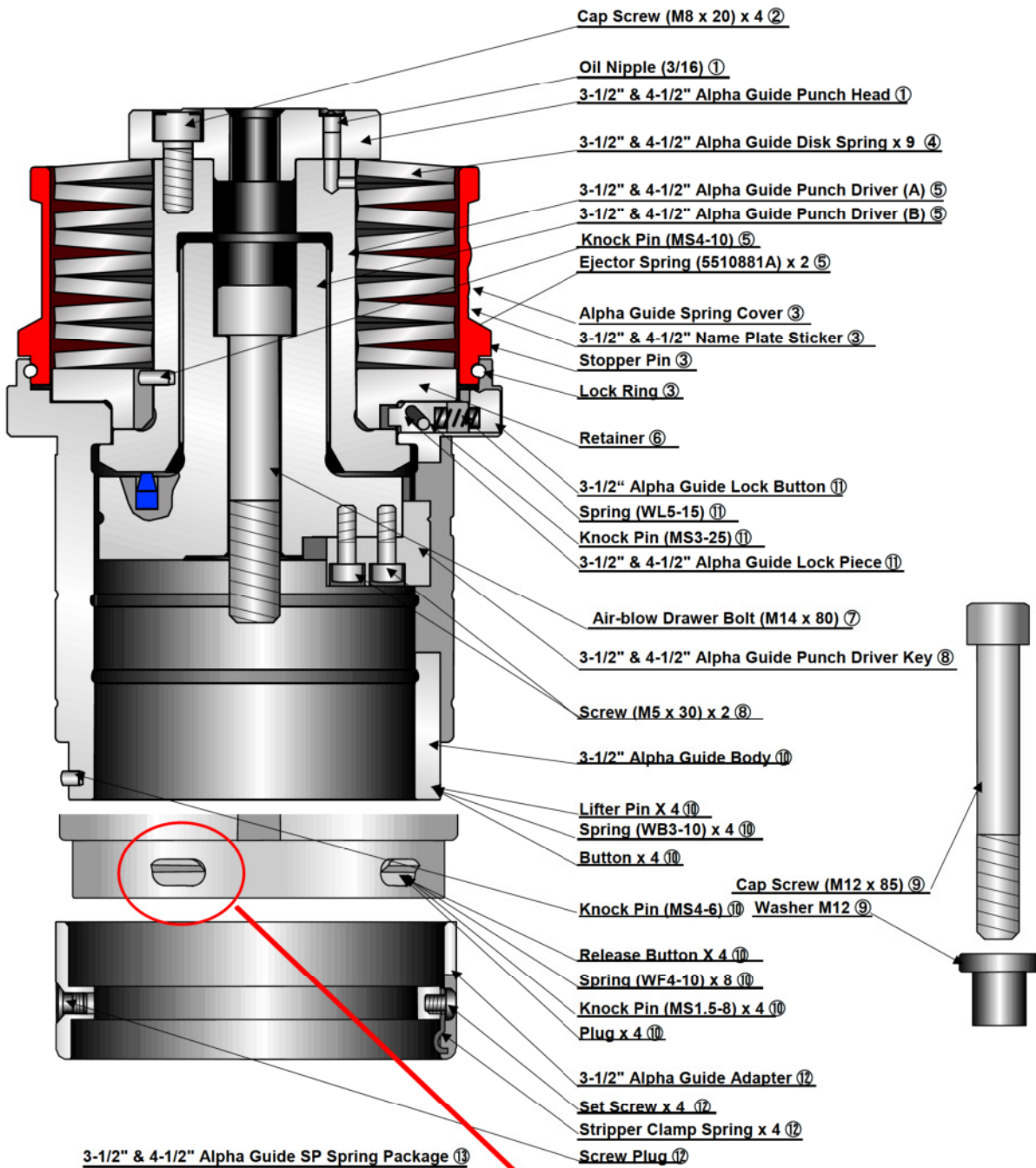
C 2" Alpha Guide assy

Part No.	Description	DWG No.	Code No.	Q'ty
	2" Alpha Guide assy with cap screw set #8	5808803	90743E	1

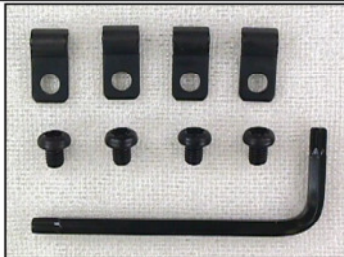
2" Apha Guide Parts

1	Punch Head set		907460	1
	Punch Head	5808808		1
	Oil Nipple	3/16		1
2	Cap Screw	M8X25	907470	3
3	Spring Cover set		907480	1
	Spring Cover	5808814		1
	Name Plate Sticker	5808815		1
4	Disk Spring	5808092	907490	16
5	Punch Driver set		907500	1
	Punch Driver (A)	5808805		1
	Punch Driver (B)	5808806		1
	Adjust Mark	5808810		1
	Cap Screw M3 x 15	M3X15		1
	Ejector Spring No. 2	5510881 A		2
6	Retainer Collar set		907510	1
	Retainer Collar	5808807		1
	Knock Pin	MS3-20		1
	Spring Pin	SSPSR3-6		1
7	Air-blow Draw Bolt (M14 x 70)	5522712	907520	1
1~8	2" Alpha Guide Spring Unit		907540	1
9	Lock Button set		907550	1
	Lock Button	5808812		1
	Knock Pin	MS3-10		1
	Coil Spring	WL5-15		2
	Low Head Cap Screw	CBSS4-6		2
10	2" Guide Key set		907560	1
	2" Guide Key	5808613		1
	Set Screw (M5 x 8)	M5X8		2
11	2" Guide Body set		907570	1
	2" Guide Body	5808804		1
	Ring Clamp	5808809		1
	Steel Ball (3mm)			4
	Knock Pin	MS3-6		1
	Coil Spring	WB3-10		1
	Screw Plug	MSWZ6		2
12	Stripper Clamp Spring set		907450	1
	Stripper Clamp Spring	5808813		4
	SP Plate Spring	5808816		4
	Washer	5808306 A		4
	Set Screw (M4 x 6)	M4X6		4
13	Stopper set		907590	1
	Stopper	5808811		1
	Coil Spring	WF4-10		1
	Pin	P4-12D		1
9~13	2" Alpha Guide Guide Unit		907600	1
14	2" Guide assy SP Plate Spring Package		907450	1

D 3 1/2" Alpha Guide assy



3-1/2" & 4-1/2" Alpha Guide SP Spring Package ⑬



Details of Lock & Release button



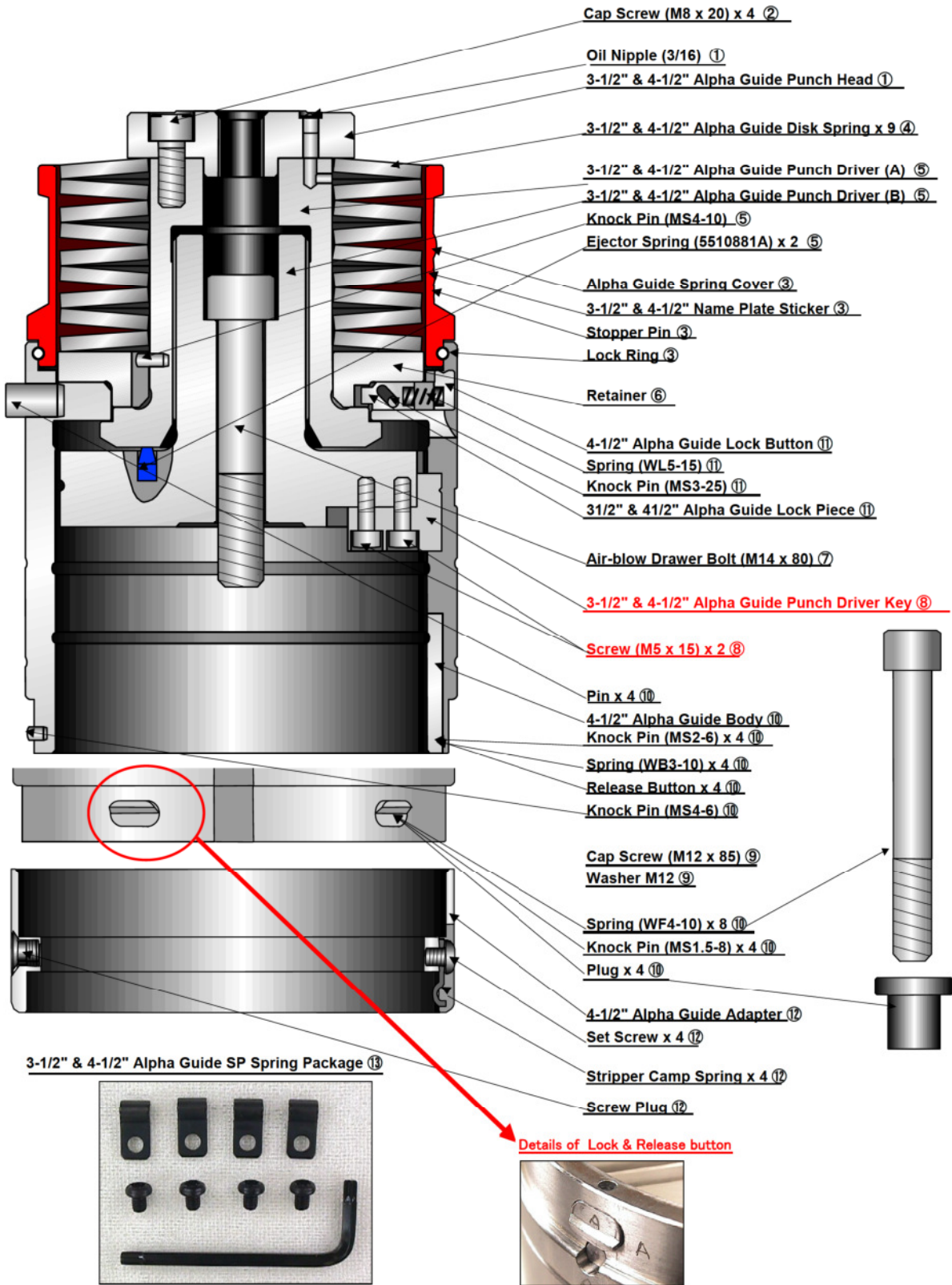
D 3½" Alpha Guide assy

Part No.	Description	DWG No.	Code No.	Q'ty
	3-1/2" Alpha Guide assy with adapter #12 + cap screw se t#9		90719E	1
	3-1/2" Alpha Guide assy + cap screw set #9 (without adapter)	5808711 K	90713E	1

3-1/2" Alpha Guide Parts

1	3-1/2" & 4-1/2" Alpha Guide Punch Head set		907630	1
	3-1/2" & 4-1/2" Alpha Guide Punch Head	5808715 A		1
	Oil Nipple	3/16		1
2	Cap Screw (M8 x 20)	M8X20	907640	4
3	3-1/2" & 4-1/2" Alpha Guide Spring Cover set		907650	1
	Alpha Guide Spring Cover	5808717		1
	Stopper Pin	5808724		1
	Lock Ring	5808725		1
	3-1/2" & 4-1/2" Alpha Guide Name Plate Sticker	5808832		1
4	3-1/2" & 4-1/2" Alpha Guide Disk Spring	5808718	907660	9
5	3-1/2" Alpha Guide Punch Driver set		907670	1
	3-1/2" & 4-1/2" Alpha Guide Punch Driver (A)	5808713		1
	Knock Pin	MS4-10		1
	3-1/2" Alpha Guide Punch Driver (B)	5808888		1
	Ejector Spring	5510881 A		2
6	Retainer	5808716	907680	1
7	Air-blow Drawer Bolt (M14 x 80)	5808732	907690	1
8	3-1/2" & 4-1/2" Alpha Guide Punch Driver Key with screws		908700	1
	3-1/2" & 4-1/2" Alpha Guide Punch Driver Key	5808879		1
	Cap Screw (M5 x 30)	M5X15		2
9	Cap Screw set		907740	1
	Cap Screw (M12 x 85)	M12X85		1
	Washer M12	5808723		1
10	3-1/2" Alpha Guide Body set		907750	1
	3-1/2" Alpha Guide Body	5808712		1
	Knok Pin	MS4-6		1
	Button	5808828		4
	Release Button	5808829		8
	Spring	WF4-10		4
	Spring	WB3-10		4
	Knoc Pin	MS1.5-8		4
	Knock Pin	MS2-6		4
	Plug	5808731		4
11	3-1/2" Alpha Guide Lock Button set		907760	1
	3-1/2" & 4-1/2" Alpha Guide Lock Piece	5808830		1
	3-1/2" Alpha Guide Lock Button	5808831		1
	Spring	WL5-15		1
	Knock Pin	MS3-25		1
12	3-1/2" Alpha Guide Adapter set		907170	1
	3-1/2" Alpha Guide Adapter	5808727		1
	Stripper Clamp Spring	5808730		4
	Set Screw	5526780		4
	Screw Plug	MSWZ6		2
13	3-1/2" Alpha Guide SP Spring Package		907780	1

E 4 1/2" Alpha Guide assy



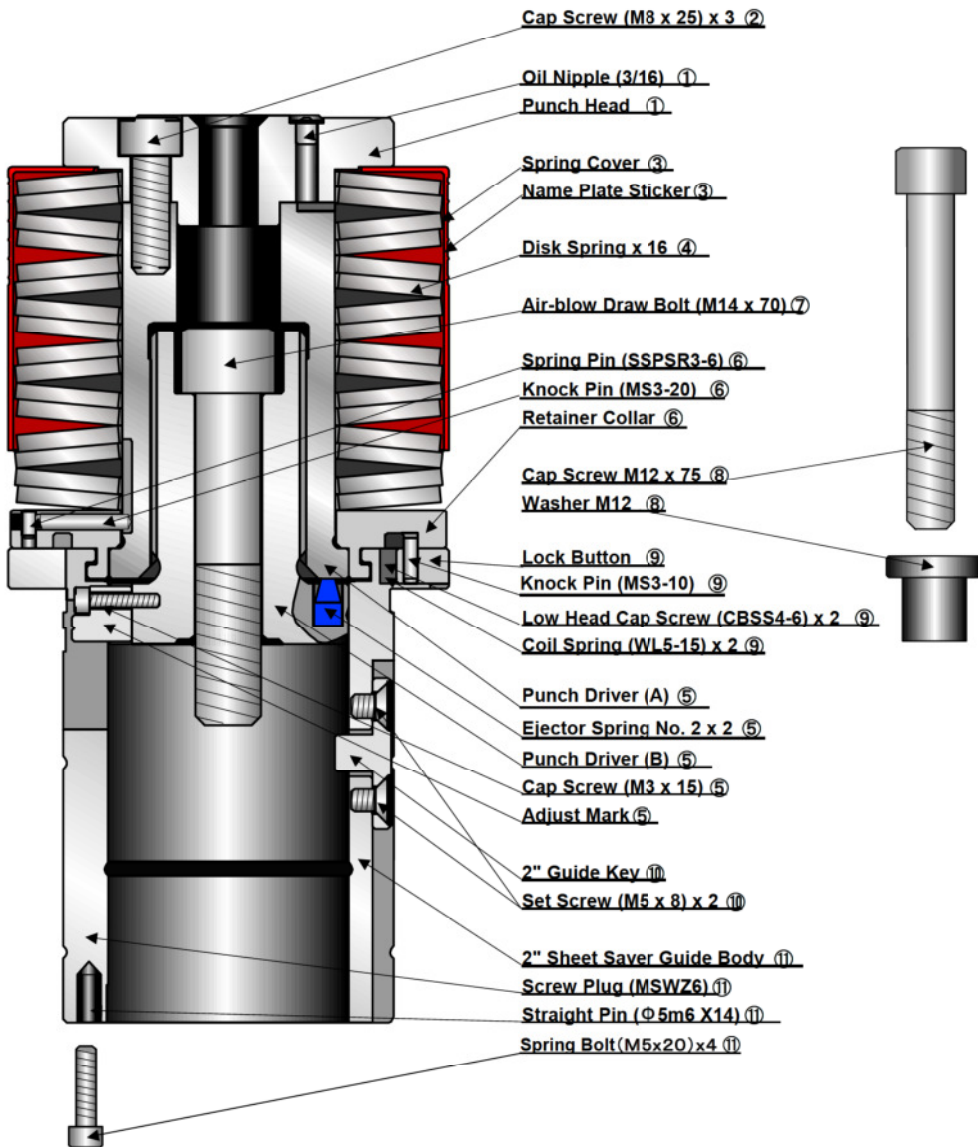
E 4½" Alpha Guide assy

Part No.	Description	DWG No.	Code No.	Q'ty
	4-1/2" Alpha Guide assy with adapter #12 + cap screw set #9		90720E	1
	4-1/2" Alpha Guide assy + cap screw set #9 (without adapter)	5808740 K	90714E	1

4-1/2" Alpha Guide Parts

1	3-1/2" & 4-1/2" Alpha Guide Punch Head set		907630	1
	3-1/2" & 4-1/2" Alpha Guide Punch Head	5808715 A		1
	Oil Nipple	3/16		1
2	Cap Screw (M8 x 20)	M8X20	907640	4
3	3-1/2" & 4-1/2" Alpha Guide Spring Cover set		907650	1
	Alpha Guide Spring Cover	5808717		1
	Stopper Pin	5808724		1
	Lock Ring	5808725		1
	3-1/2" & 4-1/2" Alpha Guide Name Plate Sticker	5808832		1
4	3-1/2" & 4-1/2" Alpha Guide Disk Spring	5808718	907660	9
5	4-1/2" Alpha Guide Punch Driver set		907800	1
	3-1/2" & 4-1/2" Alpha Guide Punch Driver (A)	5808713		1
	Knock Pin	MS4-10		1
	4-1/2" Alpha Guide Punch Driver (B)	5808890		1
	Ejector Spring	5510881 A		2
6	Retainer	5808716	907680	1
7	Air-blow Drawer Bolt (M14 x 80)	5808732	907690	1
8	3-1/2" & 4-1/2" Alpha Guide Punch Driver Key with screws		908700	1
	3-1/2" & 4-1/2" Alpha Guide Punch Driver Key	5808879		1
	Cap Screw (M5 x 15)	M5X15		2
9	Cap Screw set		907740	1
	Cap Screw (M12 x 85)	M12X85		1
	Washer M12	5808723		1
10	4-1/2" Alpha Guide Body set		907810	1
	4-1/2" Alpha Guide Body	5808800 A		1
	Pin	5501067 A		1
	Knock Pin	MS4-6		1
	Button	5808828		4
	Release Button	5808829		8
	Spring	WF4-10		4
	Spring	WB3-10		4
	Knock Pin	MS1.5-8		4
	Knock Pin	MS2-6		4
	Plug	5808731		4
11	4-1/2" Alpha Guide Lock Button set		907820	1
	3-1/2" & 4-1/2" Alpha Guide Lock Piece	5808830		1
	4-1/2" Alpha Guide Lock Button	5808832		1
	Spring	WL5-15		1
	Knock Pin	MS3-25		1
12	4-1/2" Alpha Guide Adapter set		907180	1
	4-1/2" Alpha Guide Adapter	5808727		1
	Stripper Clamp Spring	5808730		4
	Set Screw	5526780		4
	Screw Plug	MSWZ6		2
13	3-1/2" & 4-1/2" Alpha Guide SP Spring Package		907780	1

C 2" Alpha Sheet Saver Guide assy



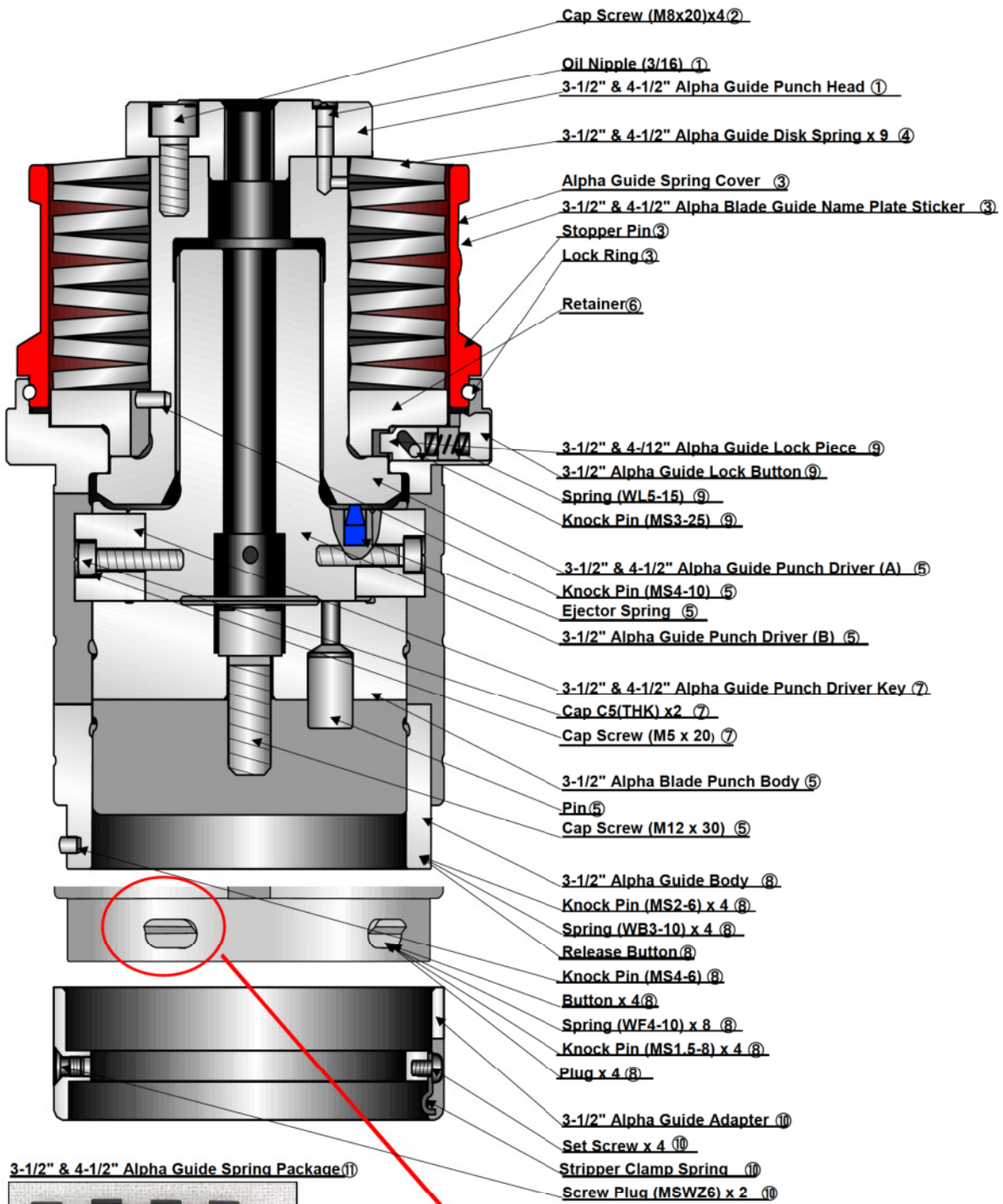
C 2" Alpha Sheet Saver Guide assy

Part No.	Description	DWG No.	Code No.	Q'ty
	2" Alpha Sheet saver Guide assy + capscrew set #8	5808817	90744E	1

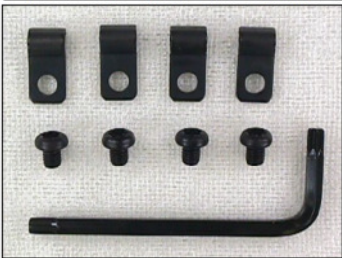
2" Apha Sheet Saver Guide Parts

1	Punch Head set		907460	1
	Punch Head	5808808		1
	Oil Nipple	3/16		1
2	Cap Screw	M8X25	907470	3
3	Spring Cover set		907480	1
	Spring Cover set	5808814		1
	Name Plate Sticker	5808815		1
4	Disk Spring	5808092	907490	16
5	Punch Driver set		907500	1
	Punch Driver (A)	5808805		1
	Punch Driver (B)	5808806		1
	Adjust Mark	5808810		1
	Cap Screw M3 x 15	M3X15		1
	Ejector Spring No. 2	5510881 A		2
6	Retainer Collar set		907510	1
	Retainer Collar set	5808807		1
	Knock Pin	MS3-20		1
	Spring Pin	SSPSR3-6		1
7	Air-blow Draw Bolt (M14 x 70)	5522712	907520	1
8	Cap Screw set		907530	1
	Cap Screw M12 x 75	M12X75		1
	Washer M12	5808723		1
1-8	2" Alpha Guide Spring Unit		907540	1
9	Lock Button set		907550	1
	Lock Button	5808812		1
	Knock Pin	MS3-10		1
	Coil Spring	WL5-15		2
	Low Head Cap Screw	CBSS4-6		2
10	Guide Key set		907560	1
	2" Guide Key	5808613	908430	1
	Set Screw (M5 x 8)	M5X8	999300	2
11	2" Alpha Sheet Saver Guide Body set		907610	1
	2" Alpha Sheet Saver Guide Body	5808818		1
	Straight Pin (φ5m6X14L)			1
	Spring Bolt (M5 X 20)			4
	Screw Plug	MSWZ6		2

D 3 1/2" Alpha Blade Guide assy



3-1/2" & 4-1/2" Alpha Guide Spring Package (11)



Details of Lock & Release button



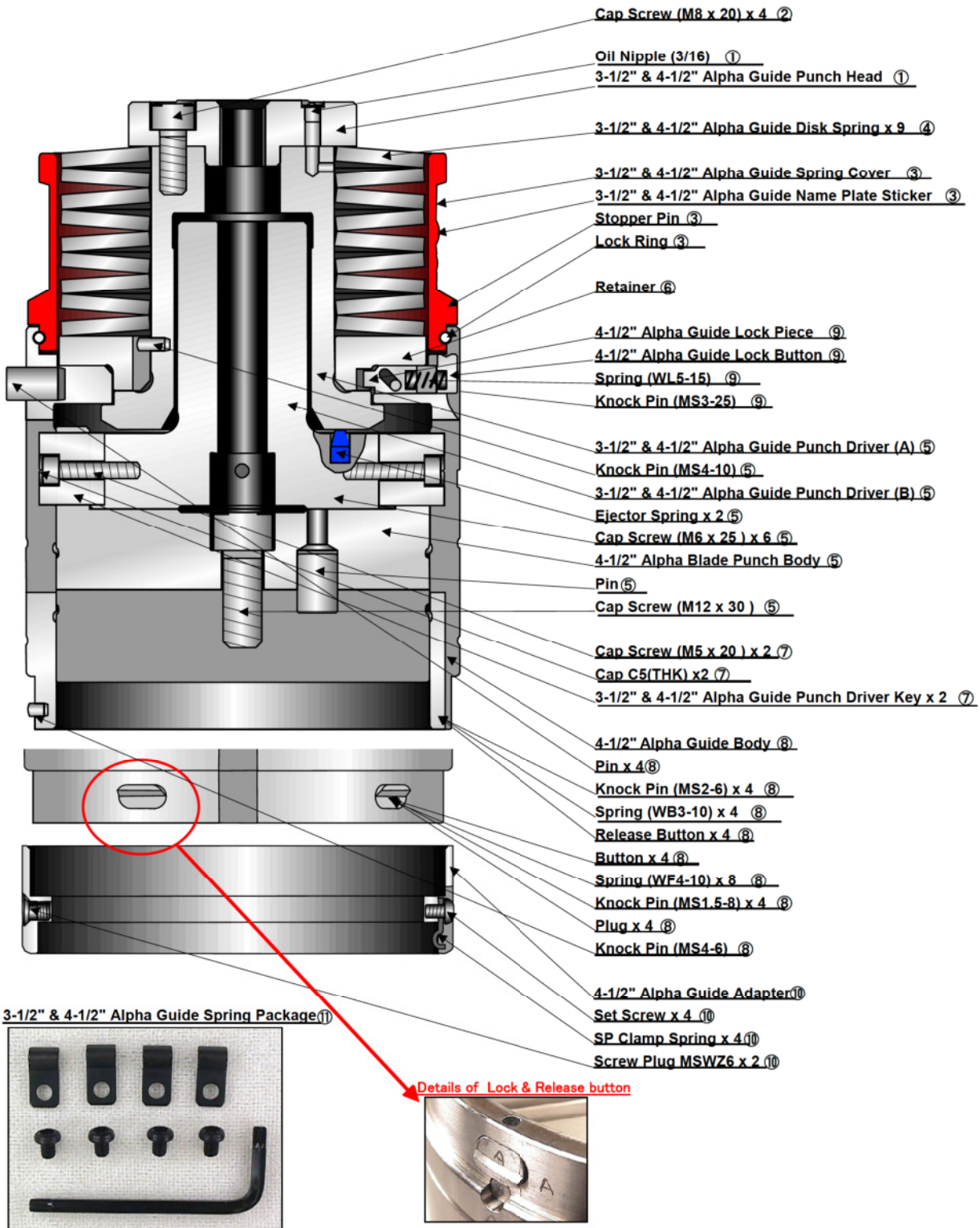
D 3 1/2" Alpha Blade Guide assy

Part No.	Description	DWG No.	Code No.	Q'ty
	3-1/2" Alpha Blade Guide assy with adapter		90721E	1
	3-1/2" Alpha Blade Guide assy (without adapter)	5808735 F	90715E	1

3-1/2" Alpha Blade Guide Parts

1	3-1/2" & 4-1/2" Alpha Guide Punch Head set		907630	1
	3-1/2" & 4-1/2" Alpha Guide Punch Head	5808715 A		1
	Oil Nipple	3/16		1
2	Cap Screw (M6 x 20)	M6X20	907640	4
3	3-1/2" & 4-1/2" Alpha Guide Spring Cover set		907650	1
	Alpha Guide Spring Cover	5808717		1
	Stopper Pin	5808724		1
	Lock Ring	5808725		1
	3-1/2" & 4-1/2" Alpha Blade Guide Name Plate Sticker	5808833		1
4	3-1/2" & 4-1/2" Alpha Guide Disk Spring	5808718	907660	9
5	3-1/2" Alpha Blade Punch Body set		907770	1
	3-1/2" Alpha Blade Punch Body	5808737 A		1
	Pin	5546205 B		1
	Cap Screw (M12 x 30)	M12 x 30		1
	Cap Screw (M6 x 25)	M6 x 25		4
	3-1/2" & 4-1/2" Alpha Guide Punch Driver (A)	5808713		1
	Knock Pin	MS4-10		1
	3-1/2" Alpha Guide Punch Driver (B)	5808736 A		1
	Ejector Spring	5510881 A		2
6	Retainer	5808716	907680	1
7	3-1/2" & 4-1/2" Alpha Guide Punch Driver Key set with screw & cap		908720	2
	3-1/2" & 4-1/2" Alpha Guide Punch Driver Key	5808876		2
	Cap Screw (M5 x 20)	M5X20		2
	Cap	C5 (THK)		2
8	3-1/2" Alpha Guide Body set		907750	1
	3-1/2" Alpha Guide Body	5808712		1
	Knock Pin	MS4-6		1
	Button	5808828		4
	Release Button	5808829		8
	Spring	WF4-10		4
	Spring	WB3-10		4
	Knock Pin	MS1.5-8		4
	Knock Pin	MS2-6		4
	Plug	5808731		4
9	3-1/2" Alpha Guide Lock Button set		907760	1
	3-1/2" & 4-1/2" Alpha Guide Lock Piece	5808830		1
	3-1/2" Alpha Guide Lock Button	5808730		1
	Spring	WL5-15		1
	Knock Pin	MS3-25		1
10	3-1/2" Alpha Guide Adapter set		907170	1
	3-1/2" Alpha Guide Adapter	5808727		1
	Stripper Clamp Spring	5808730		4
	Set Screw	5526780		4
	Screw Plug	MSWZ6		2
11	3-1/2" Alpha Guide SP Spring Package		907780	1

E 4 1/2" Alpha Blade Guide assy



E 4½" Alpha Blade Guide assy

Part No.	Description	DWG No.	Code No.	Q'ty
	4-1/2" Alpha Blade Guide assy with adapter		90722E	1
	4-1/2" Alpha Blade Guide assy (without adapter)	580736 F	90716E	1

4-1/2" Alpha Blade Guide Parts

1	3-1/2" & 4-1/2" Alpha Guide Punch Head set		907630	1
	3-1/2" & 4-1/2" Alpha Guide Punch Head	5808715 A		1
	Oil Nipple	3/16		1
2	Cap Screw (M6 x 20)	M6X20	907640	4
3	3-1/2" & 4-1/2" Alpha Guide Spring Cover set		907650	1
	Alpha Guide Spring Cover	5808717		1
	Stopper Pin	5808724		1
	Lock Ring	5808725		1
	3-1/2" & 4-1/2" Alpha Blade Guide Name Plate Sticker	5808833		1
4	3-1/2" & 4-1/2" Alpha Guide Disk Spring	5808718	907660	9
5	4-1/2" Alpha Blade Punch Body set		907830	1
	4-1/2" Alpha Blade Punch Body	5808748 B		1
	Pin	5546205 B		1
	Cap Screw (M12 x 30)	M12 x 30		1
	Cap Screw (M6 x 25)	M6 x 25		4
	3-1/2" & 4-1/2" Alpha Guide Punch Driver (A)	5808713		1
	Knock Pin	MS4-10		1
	3-1/2" Alpha Guide Punch Driver (B)	5808747 A		1
	Ejector Spring	5510881 A		2
6	Retainer	5808716	907680	1
7	3-1/2" & 4-1/2" Alpha Guide Punch Driver Key set with screw+cap		908720	2
	3-1/2" & 4-1/2" Alpha Guide Punch Driver Key	5808876		2
	Cap Screw (M5 x 20)	M5X20		2
	Cap	C5 (THK)		2
8	4-1/2" Alpha Guide Body set		907810	1
	4-1/2" Alpha Guide Body	5808800 A		1
	Knock Pin	MS4-6		1
	Button	5808828		4
	Release Button	5808829		8
	Spring	WF4-10		4
	Spring	WB3-10		4
	Knock Pin	MS1.5-8		4
	Knock Pin	MS2-6		4
	Plug	5808731		4
9	4-1/2" Alpha Guide Lock Button set		907820	1
	3-1/2" & 4-1/2" Alpha Guide Lock Piece	5808830		1
	4-1/2" Alpha Guide Lock Button	5808831		1
	Spring	WL5-15		1
	Knock Pin	MS3-25		1
10	4-1/2" Alpha Guide Adapter set		907180	1
	4-1/2" Alpha Guide Adapter	5808744		1
	Stripper Clamp Spring	5808730		4
	Set Screw	5526780		4
	Screw Plug	MSWZ6		2
11	4-1/2" Alpha Guide SP Spring Package		907780	1